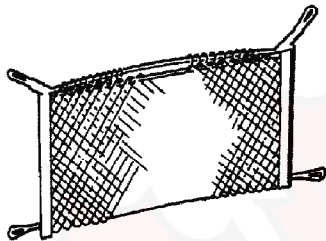


 HONDA INSTALLATION INSTRUCTIONS	Accessory CARGO NET P/N 08L96-S30-100	Application 2000 PRELUDE	Publications No. All 20999
			Issue Date SEP 1999

PARTS LIST

Cargo net



4 Rubber spacers



2 "A" hooks



2 "B" hooks



2 Self-tapping screws



2 Threaded studs



2 Washers



2 Collapsible collars



TOOLS AND SUPPLIES REQUIRED

Utility knife

Felt-tip pen

Awl

Eye protection (face shield, safety goggles, etc.)

Drill

5 mm Drill bit

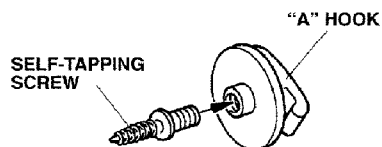
Touch-up paint

INSTALLATION

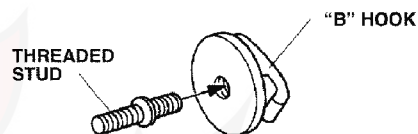
Customer Information: The information in this installation instruction is intended for use only by skilled technicians who have the proper tools, equipment, and training to correctly and safely add equipment to your car. These procedures should not be attempted by "do-it-yourselfers."

NOTE: Be careful not to mix up the "A" and "B" hooks.

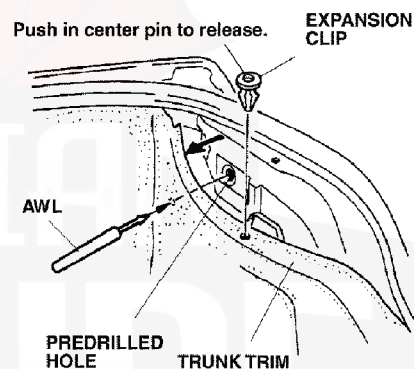
1. Install a self-tapping screw into each "A" hook.



2. Install a threaded stud into each "B" hook.

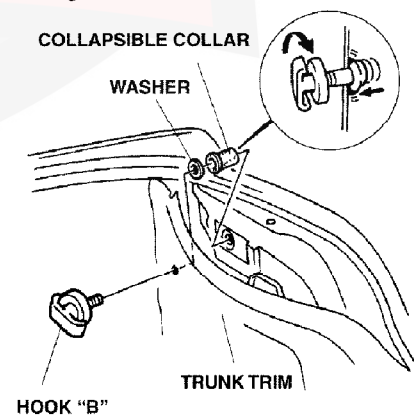


3. Remove the expansion clip, and fold the trunk trim down. Locate the predrilled hole in the rear bulkhead.

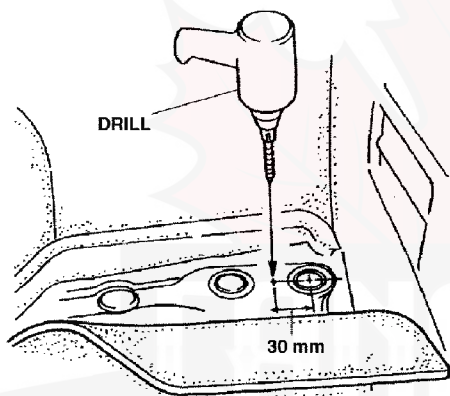


4. Using an awl, poke a hole through the trunk trim at the located hole.

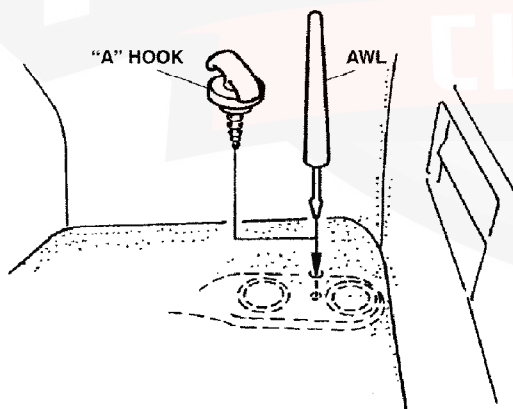
5. Push the stud on one of the "B" hooks through the trunk trim, then install a washer on the stud. Push the collapsible collar into the predrilled hole in the bulkhead, and thread the stud into the collapsible collar until tight.



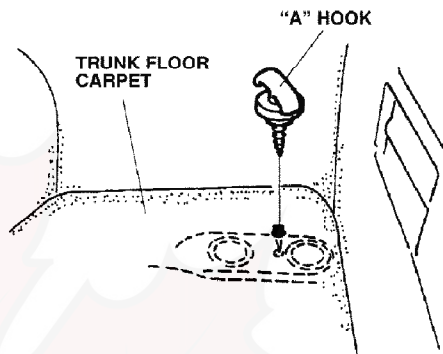
6. Repeat steps 3 through 5 on the other side of the vehicle.
7. Install the "A" hooks:
 - Remove the trunk carpet. Mark the spot 30 mm forward of the rear plastic plug. Center-punch the mark.
 - While wearing eye protection, drill a 5 mm hole through the center-punched mark.
 - Repeat on the other side of the trunk floor.
 - Apply touch-up paint to the edges of the holes. Reinstall the trunk carpet.



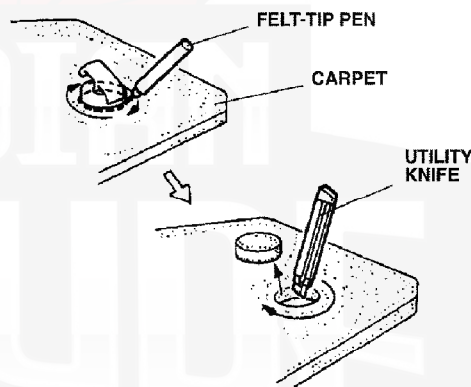
- Lift up the corner of the carpet, and locate the hole you just drilled. With your finger on the carpet and over the hole, lay the carpet back to its original position. Using an awl, poke the floor carpet to locate the hole. Repeat on the other side of the trunk floor.



- Recheck the fit of the carpet lying in the trunk. When you're satisfied with the fit of the carpet, loosely thread an "A" hook into each of the two 5 mm holes on top of the carpet.



- Using a utility knife, cut the carpet around each hook. Make your cut as close to the hook as possible. Remove and discard the cut piece of carpet, and remove the hooks.



- Place two rubber spacers on each hook, and reinstall the hook into the hole.
8. Attach the cargo net to the four hooks.

