

 HONDA INSTALLATION INSTRUCTIONS	Accessory	Application	Publications No.
	FRONT UNDER SPOILER	2000 PRELUDE	All 21006
			Issue Date SEP 1999

PARTS LIST

Front under spoiler



2 Self-tapping screws



10 Clip nuts



10 Bumper bolts



2 Spring nuts



2 Adhesive tapes (double-sided)



TOOLS AND SUPPLIES REQUIRED

10 mm Socket
Phillips screwdriver
Contact cleaner

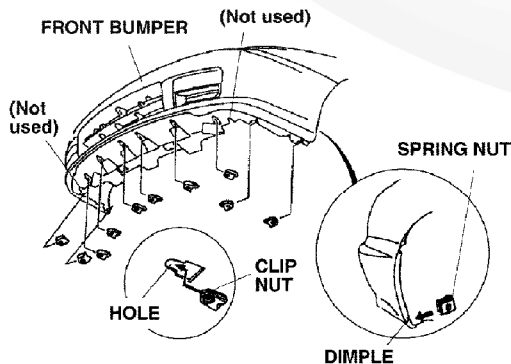
Ratchet
Piece of cardboard (or mat)
Shop towel

INSTALLATION

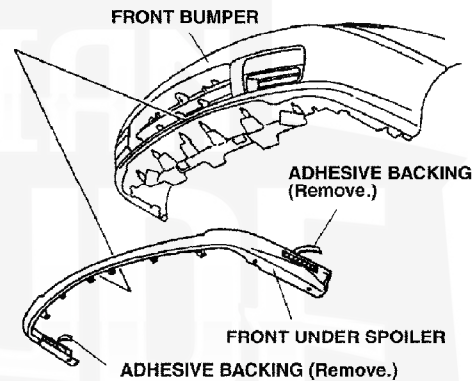
Customer Information: The information in this installation instruction is intended for use only by skilled technicians who have the proper tools, equipment, and training to correctly and safely add equipment to your car. These procedures should not be attempted by "do-it-yourselfers."

NOTE: Be careful not to damage the front bumper and other finished surfaces when installing the front under spoiler.

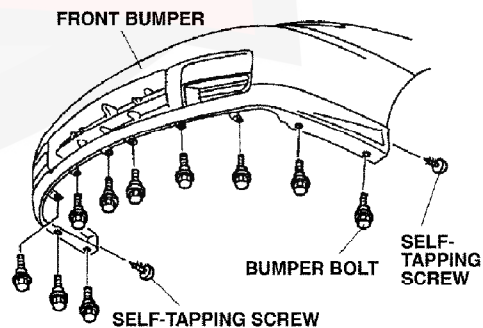
1. Remove the front under spoiler from the carton, and place it on a mat or a piece of cardboard.
2. Slide the 10 clip nuts onto the front bumper through the holes in the bottom of the front bumper.



3. Slide a spring nut over the dimpled area of the front bumper on each side.
4. Using contact cleaner and a shop towel, thoroughly clean the bonding surfaces of the front bumper.
5. Install the front under spoiler on the front bumper:
 - Remove the backing from one side of each adhesive tape, and attach the tapes to the front under spoiler in the areas shown.
 - Remove the backing from the other side of the two adhesive tapes, then position the front under spoiler on the front bumper. Hold the front under spoiler firmly against the front bumper where the adhesive tape is attached.
 - Check that there is no clearance between the front bumper and the front under spoiler.



6. Install the 10 bumper bolts into the clip nuts, and tighten the bolts securely.



7. Install a self-tapping screw through each spring nut.