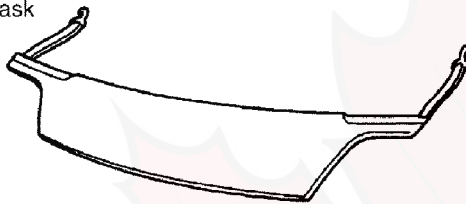


H HONDA INSTALLATION INSTRUCTIONS	Accessory	Application	Publications No.
	HALF NOSE MASK 08P35-S30-100F	2000 PRELUDE	All 21010
			Issue Date SEP 1999

PARTS LIST

Nose mask



Right side mask



Left side mask



2 Snap-screws



2 Washers



2 Fenderwell nuts



Storage bag



TOOLS REQUIRED

Stubby #2 Phillips screwdriver

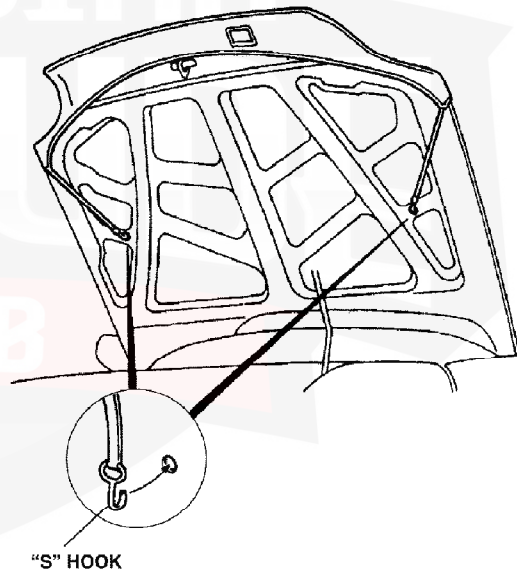
Flat-tip screwdriver

INSTALLATION

NOTE:

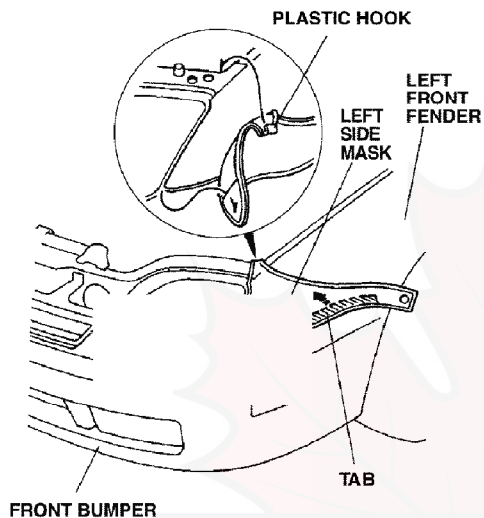
- Make sure the vehicle and the mask are clean and completely dry before installation. If moisture is allowed to dry, it may cloud the paint. If the mask gets wet, remove it and allow it to air-dry completely.
- Make sure any repainted surfaces are cured.
- Make sure the hood and nose of the vehicle have been waxed with a high-quality paste wax.
- Make sure you install the mask securely. If the mask starts to flap or comes loose while driving, safely pull off the highway, stop the vehicle, and secure or remove the mask.

1. Open the hood. Fit the corners of the nose mask around the hood; adjust it so that it fits smoothly over the edges. Attach the "S" hooks to the hood.

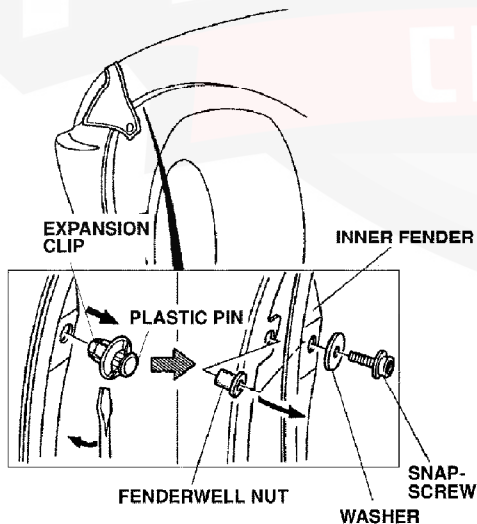


2. Turn the steering wheel all the way clockwise.

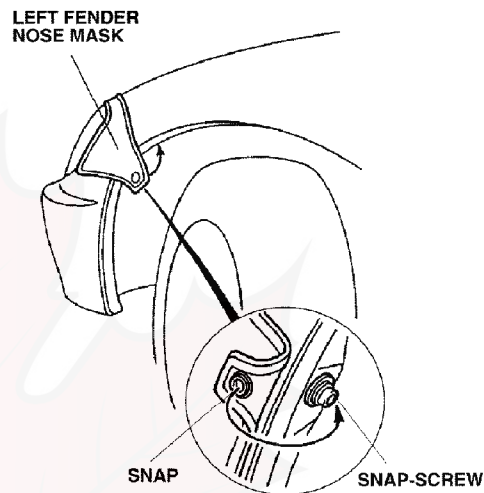
3. Unscrew the plastic screw from the expansion clip that holds the left inner fender; remove and retain the clip, then clean the area around the hole.



4. Pull away the inner fender, and press a fenderwell nut into the hole in the fender flange.
5. With its washer in place, securely tighten a snap-screw into the fenderwell nut.
6. Turn the steering wheel all the way to the counterclockwise, and repeat steps 3 through 5 for the right side.
7. Slip the pocket of the left side mask onto the corner of the left fender, and attach the plastic hook to the top inside edge of the fender. Insert the tab between the fender and the bumper. Install the right side mask on the right fender the same way.



8. Pull the side mask back toward the wheelwell, smooth out any wrinkles, and then snap the mask onto the snap-screw. Do this for both sides.



9. Put these instructions along with the plastic screws and expansion clips (removed in step 3) into the storage bag, and place it in the trunk for future use.

CLEANING THE NOSE MASK

Use a sponge or cloth and a solution of mild liquid dishwashing soap and water to clean the vinyl and the flannel backing. Rinse the mask completely with clean water, and hang it to dry, out of direct sunlight. Make sure the mask is completely dry before you reinstall it.