

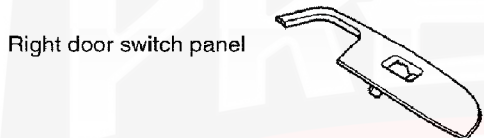
 HONDA INSTALLATION INSTRUCTIONS	Accessory	Application	Publications No.
	INTERIOR TRIM KIT	2000 PRELUDE	All 21012
			Issue Date SEP 1999

PARTS LIST

Interior Trim Kit

Carbon Fiber: P/N 08Z03-S30-100J

Simulated Wood: P/N 08Z03-S30-100H



TOOLS AND SUPPLIES REQUIRED

Phillips screwdriver

Flat-tip screwdriver

Contact cleaner

Shop towel

Masking tape

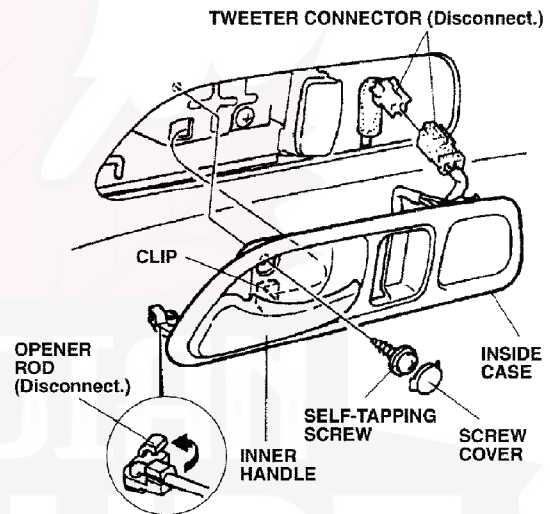
INSTALLATION

Installing the Door Switch Panel

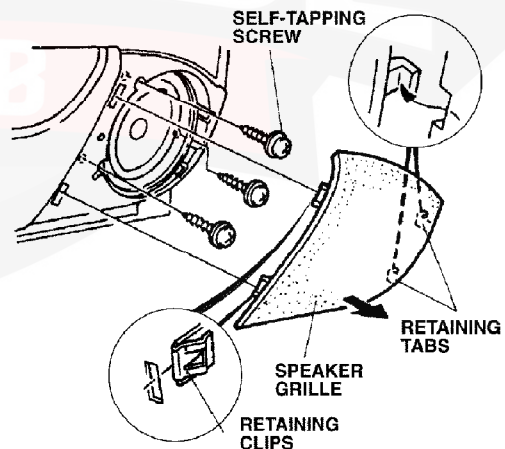
NOTE: The illustrations in this section show the left door switch panel being installed; use the same procedure to install the right door switch panel.

1. Remove the door panel:

- Remove the screw cover concealing the self-tapping screw, and remove the screw.

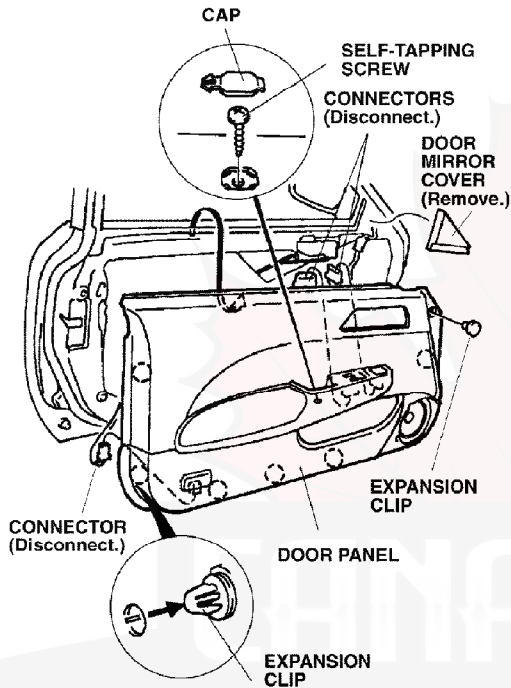


- Slide back the inside case; disconnect the opener rod, the power door lock connector, and the tweeter connector; then remove the inside case.
- Remove the speaker grille (two retaining clips).

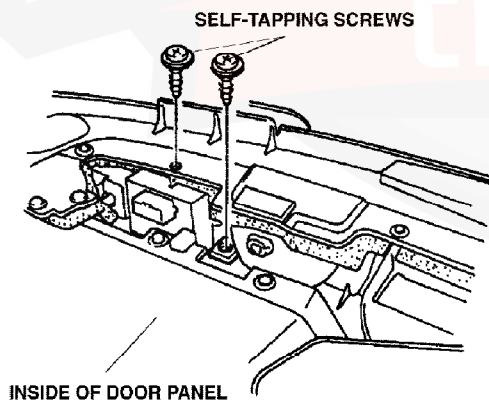


- Remove the three self-tapping screws from around the speaker.

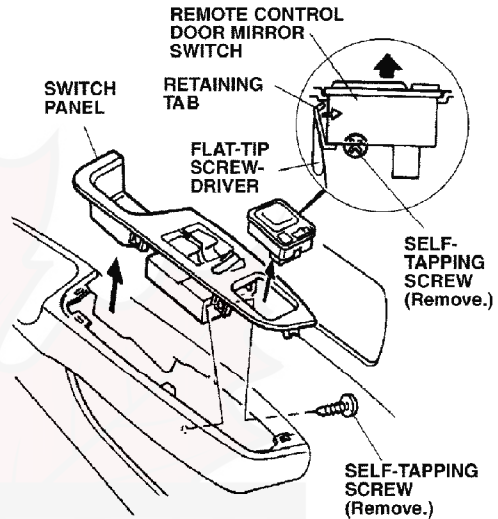
- Remove the door mirror cover; pry off the cap, and remove the self-tapping screw concealed under the cap.



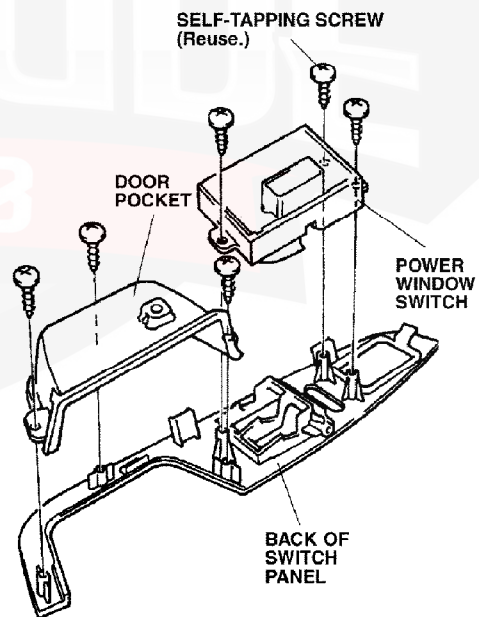
- Remove the expansion clip from the front of the door panel.
 - Remove the six expansion clips, disconnect the three connectors, and remove the door panel by lifting it upward.
2. Remove the two self-tapping screws inside the door panel.



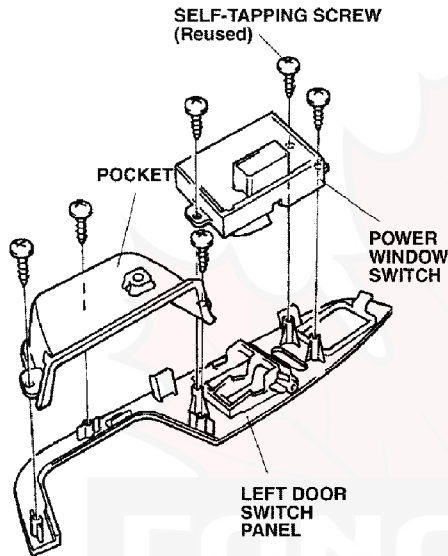
3. Inside the door panel, press the retaining tab with a flat-tip screwdriver, and raise the remote control door mirror switch.



4. Remove the self-tapping screw under the switch, and remove the switch panel. Remove the remote control door mirror switch.
5. Turn over the switch panel, and remove the six self-tapping screws fastening the power window switch and the door pocket. Remove the switch and the door pocket.



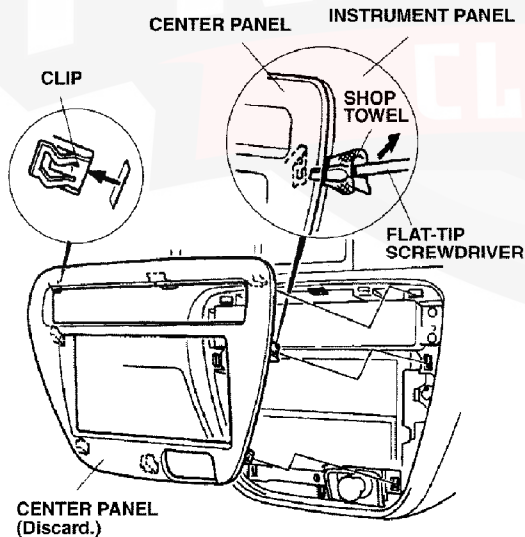
6. Position the power window switch and the door pocket you just removed onto the new left door switch panel from the kit, and reinstall the six self-tapping screws.



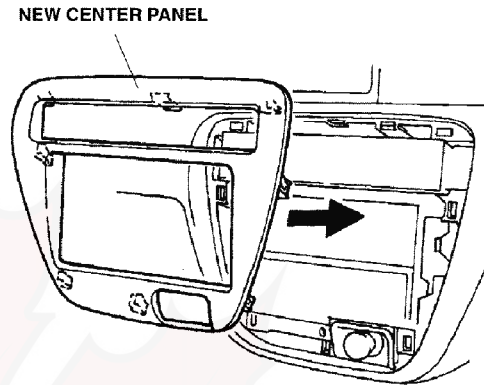
7. Reinstall the switch panel and the door panel.
8. Repeat steps 1 through 7 to install the right door switch panel.

Installing the Center Panel

9. Using a shop towel around a flat-tip screwdriver, release the eight clips fastening the center panel, and remove it. Take care not to damage the clips.

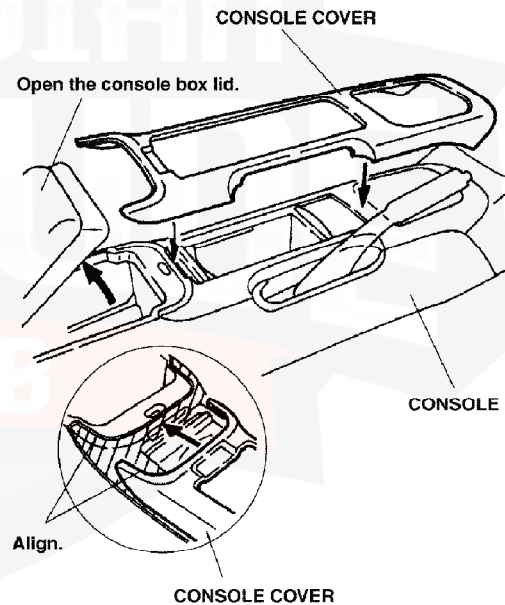


10. Install the new center panel.



Installing the Console Cover

11. Open the console box lid. Position the console cover provided on the console, and adjust its location so the front end of the console box lid is aligned with the rear end of the console cover. Mark the location with masking tape, and lift off the console cover.



12. Thoroughly clean the bonding surfaces where the console cover will attach; remove the adhesive backing from the console cover, and attach the cover to the console by pressing firmly with the palms of both hands. Remove the masking tape.