

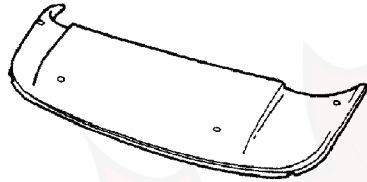
PUB No. Title
AI AII21014 2000 PRELUDE MOONROOF VISOR

Issued
09/10/1999

 HONDA INSTALLATION INSTRUCTIONS	Accessory MOONROOF VISOR 08R01-S30-101	Application 2000 PRELUDE	Publications No. All 21014
			Issue Date SEP 1999

PARTS LIST

Moonroof visor



2 Brackets A, short (Front)



2 Brackets B, long (Side)



4 Screws



4 Nuts



4 Protective tapes



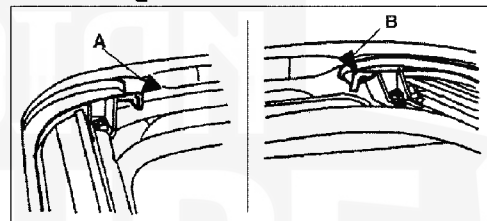
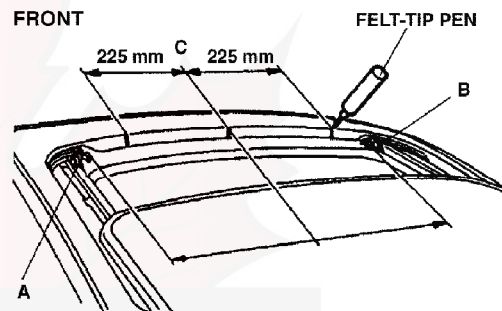
TOOLS AND SUPPLIES REQUIRED

Phillips screwdriver
10 mm Combination wrench
Felt-tip pen
Tape measure
Contact cleaner
Shop towel

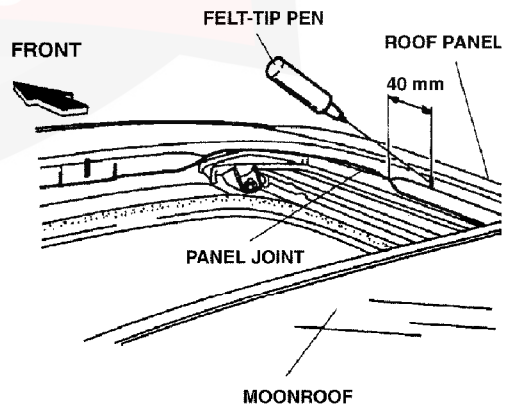
INSTALLATION

1. Open the moonroof.

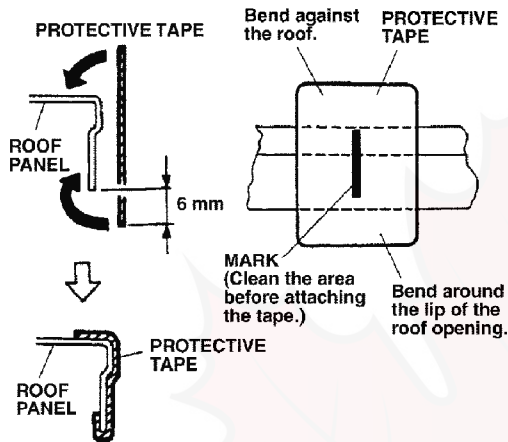
2. Measure the distance between points A and B and divide that measurement in half to find the center of the moonroof opening (C). Mark the roof at the center (C) with a felt-tip pen.



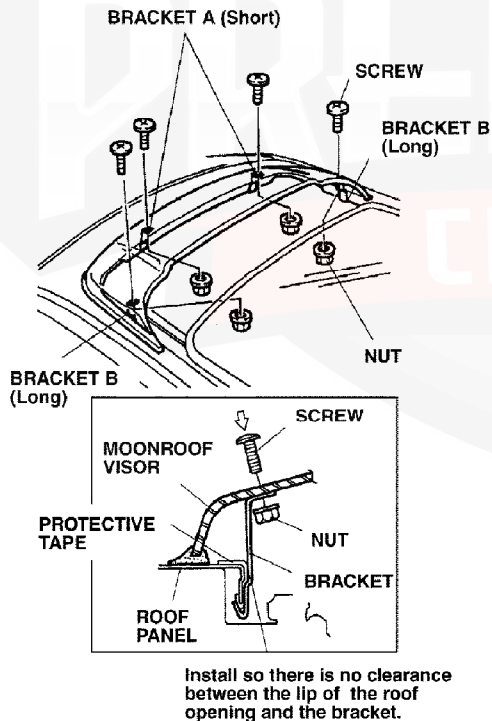
3. From the center point (C), measure 225 mm to each side. Mark the roof at each of these two points.
4. Locate a panel joint on the right side of the moonroof opening. Measure 40 mm toward the rear of the vehicle and mark the roof. Repeat on the other side of the moonroof opening.



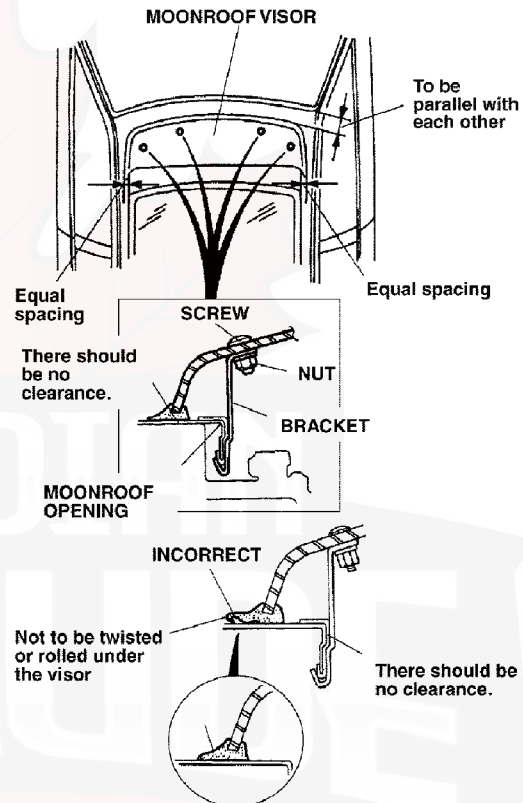
5. Using contact cleaner, clean the roof at each of the four marks you've made.



6. Remove the adhesive backings from the four protective tapes, and attach one to the roof at each mark. At both edges of each protective tape, bend 6 mm around the lip of the moonroof opening.
7. Set the moonroof visor on the vehicle's roof, forward of the moonroof opening, and adjust its position so the holes in the visor are aligned with the protective tapes.



8. While holding the visor in place, install the four screws, four nuts, and four brackets A and B with the end of each bracket hooked under the lip of the moonroof opening. Do not tighten the screws yet.
9. Position the moonroof visor with equal spacing on all sides. Check that the rubber seal is not twisted or rolled under the visor.



10. Tighten the nuts and screws, alternating between sides. To prevent damage to the resin nuts, do not overtighten the screws.

CARE OF YOUR MOONROOF VISOR

- To avoid damaging the surface, never use ammonia-based cleaners or solvents to clean your moonroof visor
- To clean your moonroof visor, use a soft cloth or chamois and a solution of mild dishwashing liquid soap and clean water.
- To remove fine scratches and restore the original luster, use Meguiar's Mirror Glaze plastic cleaner and polish or an equivalent high-quality plastic cleaner.