

PUB No. Title
AI AII21013 2000 PRELUDE LEATHER SHIFT KNOB

Issued
09/10/1999

 HONDA INSTALLATION INSTRUCTIONS	Accessory	Application	Publications No.
	LEATHER SHIFT KNOB	2000 PRELUDE	All 21013
			Issue Date
			SEP 1999

PARTS LIST

Leather Shift Knob, A/T:
Black stitch P/N 08U92-S30-100J
Red stitch P/N 08U92-S30-100F

Leather shift knob

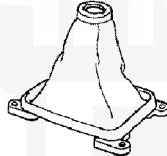


Leather Shift Knob, M/T:
Black stitch P/N 08U92-S30-100H
Red stitch P/N 08U92-S30-100

Leather shift knob



Leather shift boot



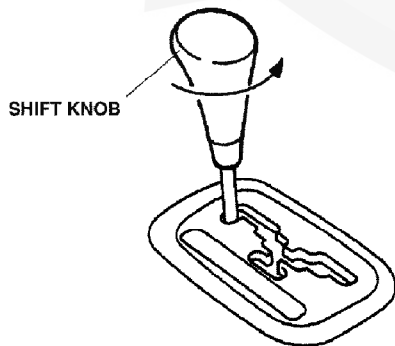
TOOLS REQUIRED

Phillips screwdriver
 Stubby Phillips screwdriver

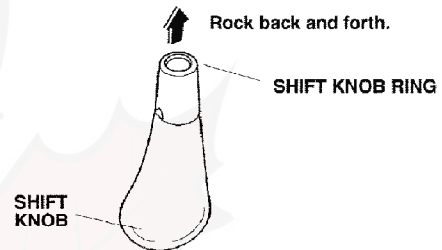
INSTALLATION

Installing the A/T Shift Knob

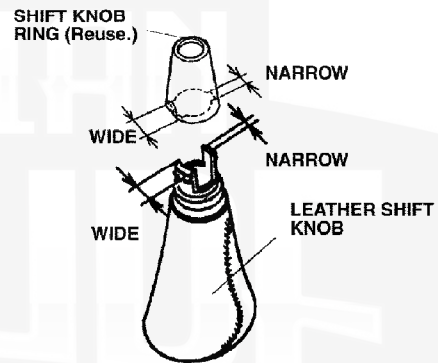
1. Remove the shift knob from the select lever by turning the knob counterclockwise.



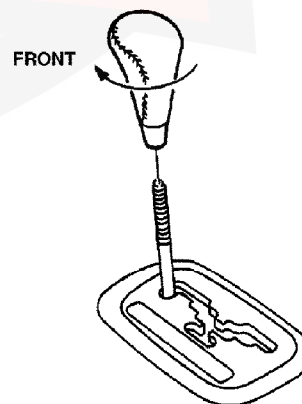
2. Remove the shift knob ring from the shift knob by pulling it up and rocking it back and forth.



3. Slide the shift knob ring onto the new leather shift knob by aligning the ring and the knob.



4. Thread the new leather shift knob onto the shift lever until it is tight. Turn the knob clockwise until the shift pattern on top is in the proper direction.

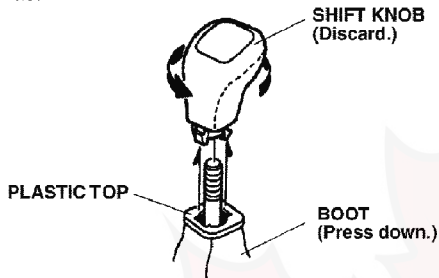


PUB No. Title
AI AII21013 2000 PRELUDE LEATHER SHIFT KNOB

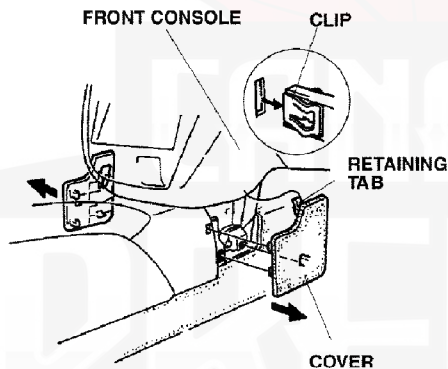
Issued
09/10/1999

Installing the M/T Shift Knob

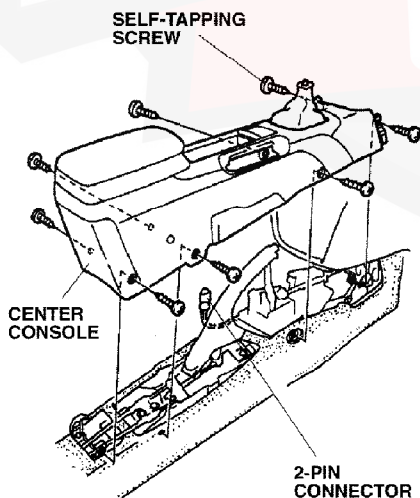
1. Separate the boot from the knob by pressing down firmly on the plastic top of the boot with both hands.



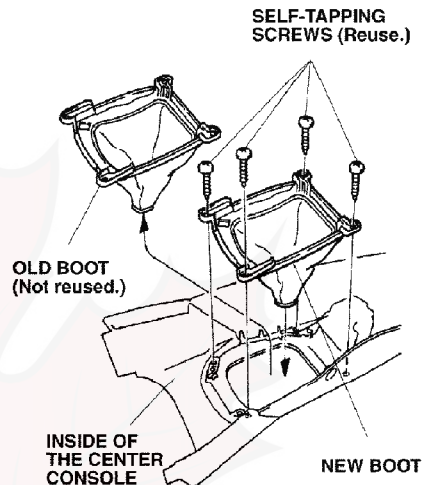
2. Remove the shift knob by turning it counterclockwise.
3. Remove the cover from the bottom of the front console by releasing the three clips and a retaining tab. Repeat on the other side.



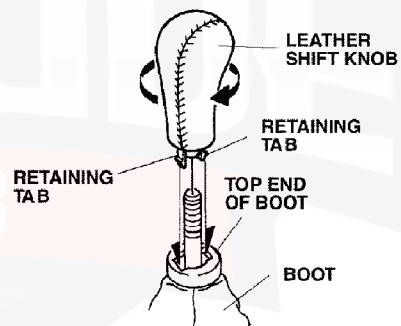
4. Remove the eight self-tapping screws, unplug the 2-pin connector, and remove the center console.



5. Turn over the center console, and remove the four self-tapping screws fastening the boot. Install the boot from the kit. Note the installation direction.



6. Reinstall the center console in the reverse order of removal.
7. Thread the new leather shift knob onto the shift lever until it is tight. Turn the knob clockwise until the shift pattern on top is in the proper direction. Pull the boot up until the retaining tabs at the bottom of the knob "click" into position in the slots at the end of the boot.



CLEANING THE SHIFT KNOB AND BOOT

- Do not use organic solvents such as benzene, gasoline, etc. to clean the leather shift knob and boot.
- Clean with a mild soap and water solution using a soft cloth. Rinse the towel well with clean water, and wipe the soap from the shift knob and boot.
- After cleaning, allow to dry in the shade.